

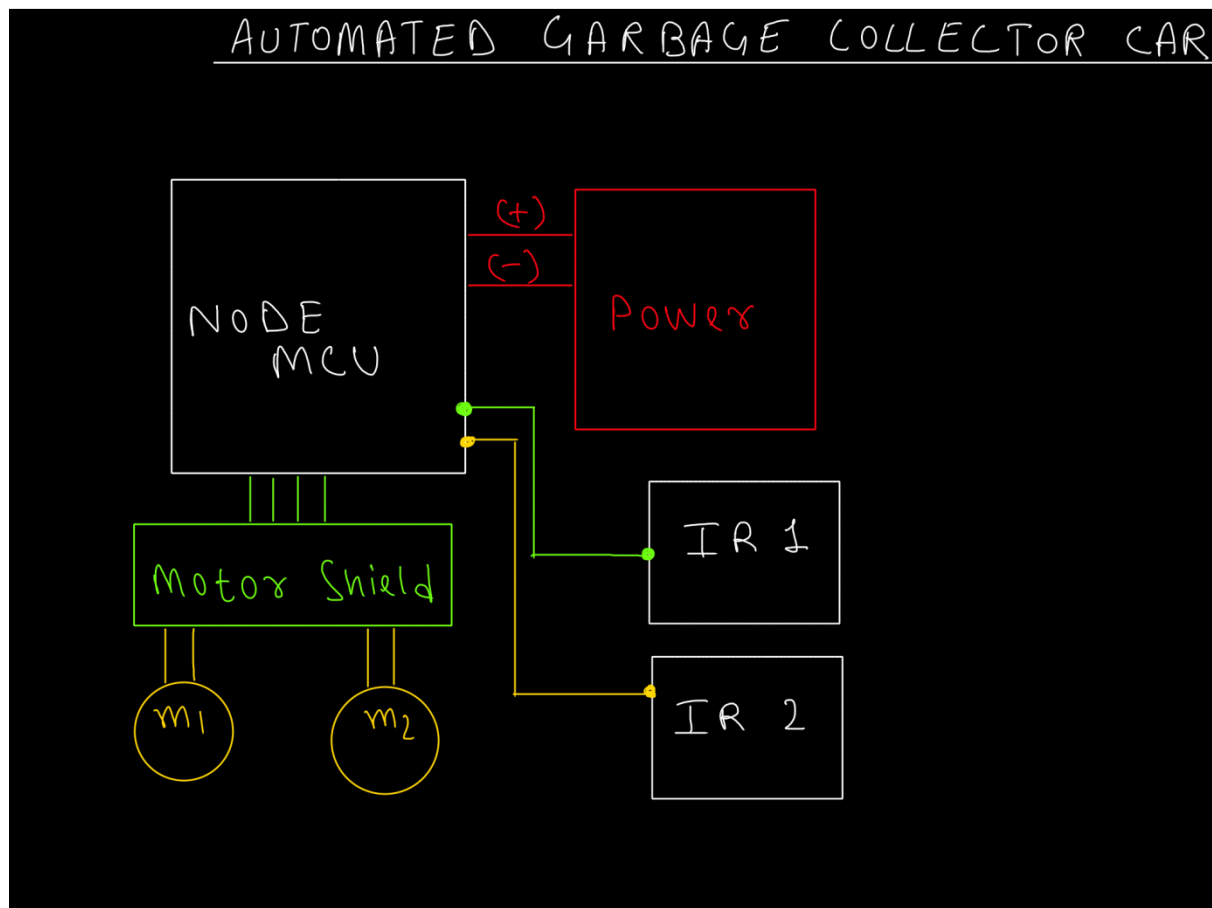
AUTOMATED GARBAGE COLLECTOR CAR

Description: The integrated ATL project Automated Garbage Collector Car has been ideated to empower “Swachh Bharat, Swasth Bharat”. The garbage collector car has been equipped with infrared sensor which helps it to follow a line and reach to the garbage bin which has got filled. The garbage bin has also been equipped with IOT which sends information to the Garbage collector car, and then the whole process goes on.

Materials Required:

1. 2 x ESP8266 (Node Mcu)
2. 3 x Infrared Sensor
3. Adafruit Motor Shield
4. 5v Dc Motors
5. Jumper Wires
6. Power Supply

Images Of The Model:



Achievements:

Team: