

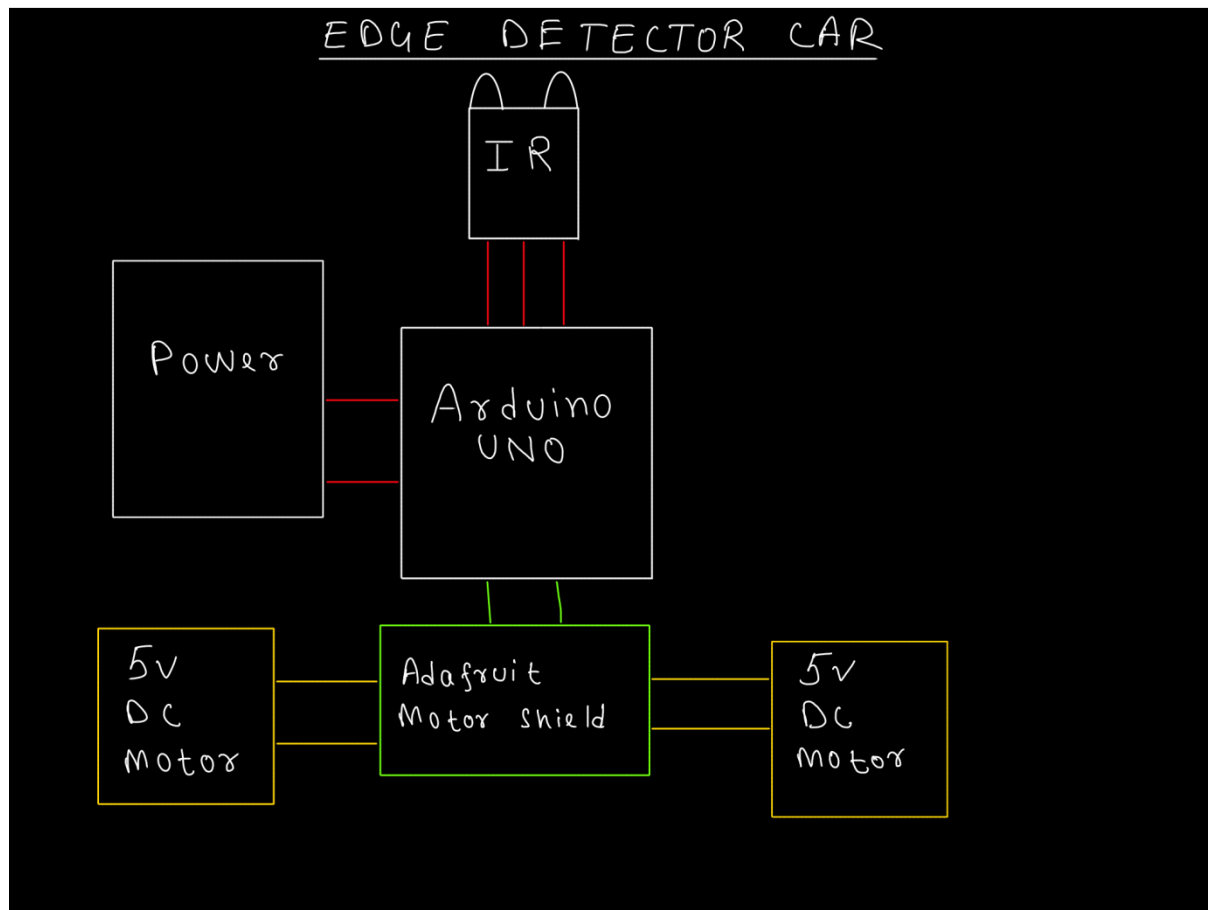
EDGE DETECTOR CAR

Description: The Integrated ATL project Edge Detector Car has been ideated so as to use it as surveillance equipment which can detect the **Edge** of any surface and can safely return back by tracing the best pathway. This system can be used in those places where an autonomous surveillance vehicle helpful to perform search and rescue operations in a bad terrain condition.

Materials Required:

1. Arduino Uno (Micro-controller)
2. Infrared Sensor (Edge Detector)
3. Adafruit Motor Shield (Motor Driver)
4. Jumper Wires
5. 5v Dc Motors
6. Battery (As power Source)

Images Of The Model:



Achievements:

Team: